



BULL15M



CONTROL PANELS:

BULL15M ——— CP.BULL-RI p.129

BULL15M.S ——— CP.BULL-RI p.129

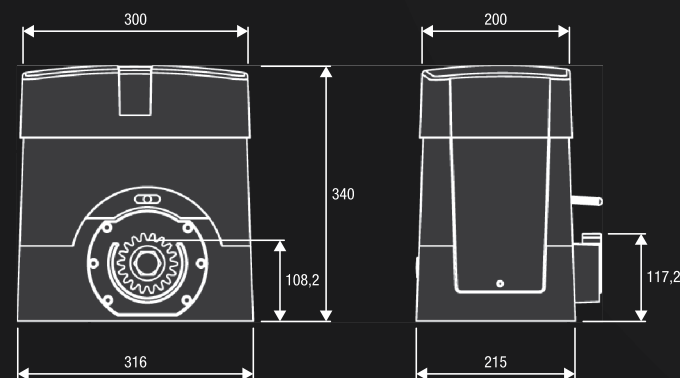
### AUTOMATIONS FOR SLIDING GATES COMMERCIAL USE

control with built-in encoder and receiver  
personalised release key  
**up to 1,500 kg**



## 230 Vac

- 230 Vac geared motor with built-in control unit and encoder
- The encoder device ensures crush prevention and precision in the gate moving phases
- Self-ventilating for increased usage intensity
- Version equipped with magnetic limit switches available (BULL15M.S)



**RI.M4F**  
9272010

M4 rack 30x12x1000mm slotted and galvanized. Supplied with M6 metric screws and threaded spacers.

**Packaging: 4 pcs**



**RI.M4Z**  
9272030

M4 galvanized rack (22x22x2000 mm).

**Packaging: 2 pcs**



**RI.M6Z**  
9272040

M6 galvanized rack 30x30x2000 mm. (needs the RI.P6 accessory to work).



**RI.P6**  
9630001

M6 gear, It needs the rack RI.M6Z.



**BULL.PI**  
9623005

Raised foundation plate. 280 x 170, n.4 Ø 11 floor brackets, 269 x 106 n.4 M10 screws for motor.



**SB.BULL20.F**  
9747026

Externally fitted anti-intrusion cable unlock device (L=4.5m).



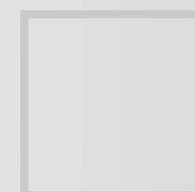
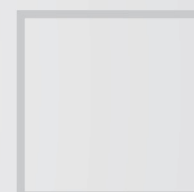
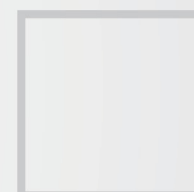
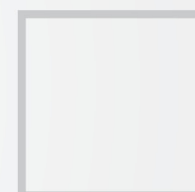
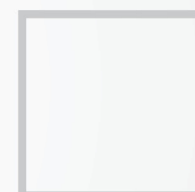
**ID.TA**  
9846019

Warning board.



**ESA BASIC**  
9176108

System that reduces the electrical energy consumption.



**MADE IN ITALY**

TECHNICAL DATA	BULL15M	BULL15M.S
Code	9590576	9591017
Power supply	230 Vac (50-60Hz)	230 Vac (50-60Hz)
Motor supply	230 Vac	230 Vac
Max absorbed current	2.5 A	2.5 A
Max Thrust	1250 N	1250 N
Opening speed	10.5 m/min	10.5 m/min
Operation cycle	60%	60%
Protection level	IP44	IP44
Magnetic limit switches	<b>NO</b>	<b>YES</b>
Operating temperature	-20°C /+50°C	-20°C /+50°C
Max gate weight	1500 kg	1500 kg
Driving gear for rack	M4 Z18	M4 Z18
Weight	20.1 kg	20.1 kg
<b>Items no. per pallet</b>	<b>20</b>	<b>20</b>